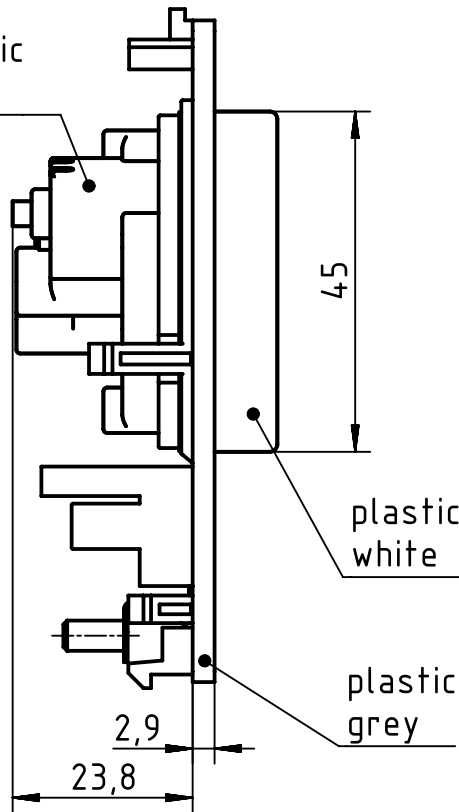
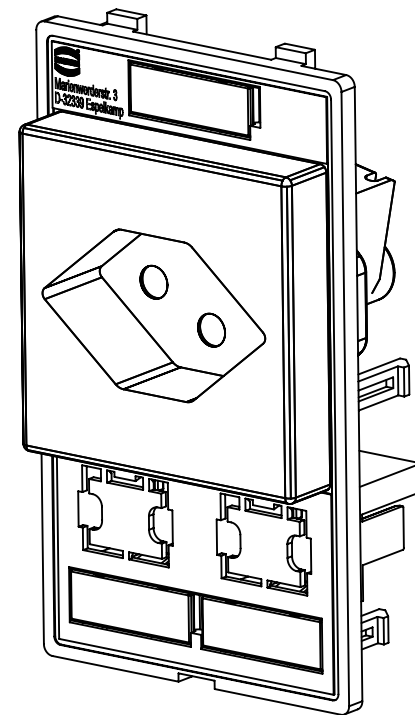


plastic black




plastic white

plastic grey



assembly instructions enclosed

	All rights reserved Department EL PD	All Dimensions in mm Original Size DIN A4		Scale 1:1	Free size tol.		Ref. Sub.
		HARTING Electric GmbH & Co. KG D-32339 Espelkamp	Created by FINKEV	Inspected by SUNDERMEIER	Standardisation RUETERA	Date 2019-04-04	State Final Release
		Title Han-Port Combi insert CH/HIFF breakout				Rev. A Page 1/1	
		Type TB	Number 39 50 001 0454				